

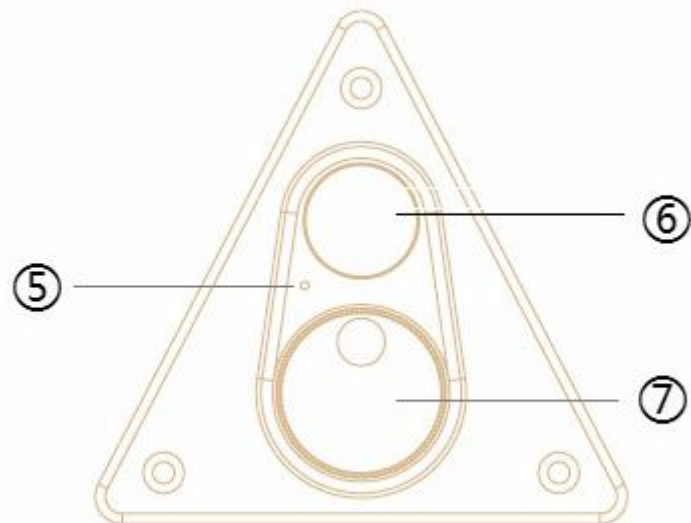
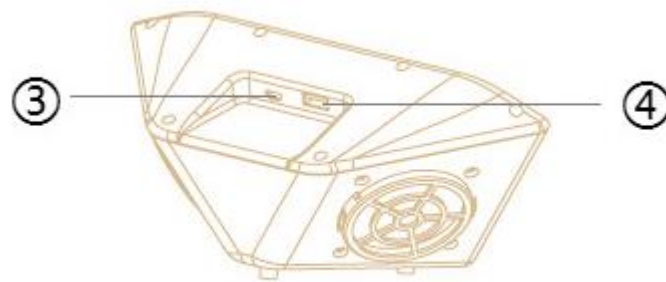
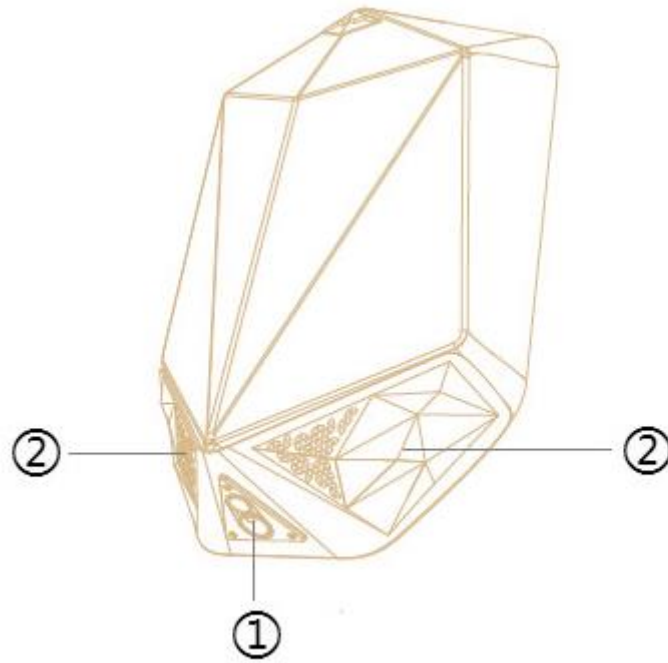
# Music Backpack

## INSTRUCTION MANUAL



reddot award 2017  
winner





- ① Control panel      ② Bluetooth speaker      ③ Micro USB input to the Lithium-ion battery
- ④ USB output from the Lithium-ion battery      ⑤ Status LED
- ⑥ Basshole      ⑦ Switch

## CONTENTS

<b>1. Safety Warnings</b>	3
1.1 Symbols used in these instructions .....	3
1.2 Designated use .....	4
1.3 Instruction for Use .....	4
<b>2. Music backpack (T-MBAG-O2)</b>	4
2.1 Description .....	4
2.2 Red Dot Award 2017 Winner.....	5
2.3 Scope of delivery .....	5
2.4 Checking the appliance.....	5
<b>3. Speaker: Starting-Up / Operation</b>	5
3.1 Charging the accumulator .....	5
3.2 Turning the speaker on and off .....	6
3.3 Establishing a Bluetooth connection .....	6
3.4 Adjusting the Volume .....	7
<b>4. Power bank</b>	7
4.1 Charging the Power bank .....	7
4.2 Loading mobile device .....	7
<b>5. Technical Data</b> .....	7
<b>6. Cleaning</b> .....	7
<b>7. Disposal</b> .....	8
<b>8. Troubleshooting</b> .....	8
<b>9. Warranty</b> .....	8
<b>10. Importer / Customer Service</b> .....	9
<b>11. Declaration of Conformity</b> .....	9

## 1. Safety Warnings

---

### 1.1 Symbols used in these instructions

Important warnings are identified by these symbols. It is vital to respect these warnings.



**Danger!**

Failure to observe the warning may result in personal injury.



**Important!**

Failure to observe the warning could result in disturbance or environmental damage.



**Danger of burns!**

Failure to observe the warning could result in burns.



**Please note:**

This symbol identifies important advice or information for the user.



**Danger!**



**Important!**

- Music may be perceived by the public or neighbors as noise annoyance! Loud sound influence can lead to hearing damage and psychological stress of yourself and also be perceived by others as a disturbance of the peace.
  - Please comply with road traffic act. Turn up the speaker e.g. during the scooter ride only to so loud that no other people can be in a traffic endangering or aggravating way distracted or harassed (§1, §33 StVO).
  - Please take care of neighbors or roommates and pay attention to the statutory rest periods (§117 OWiG). Keep the loudness always at a comfortable level. Even in the room do not play the music over the room loudness (up to 55 dB).

- Please educate your children under the age of 16 about noise regulation to make sure they do not disturb others when playing in public with the music backpack.
- Never remove the battery and the two speakers that are fastened in the bottom compartment of the backpack. To repair the speakers or power bank, contact customer service. Never carry out repairs yourself!
- Place the music backpack carefully on the floor and do not subject the bottom compartment to any shocks. Loudspeaker and power bank can be damaged by impacts, blows or even when falling from a low height.
- Keep the music backpack away from chemicals.
- Keep the music backpack away from high magnetic environments and large speakers as long as they are turned on.
- The speaker part is not waterproof! Do not use the speaker in rain or moisture.
- Do not use the speaker in extreme heat or extreme cold (See "Technical Data").
- Do not put sharp objects or blades in the music backpack.



### ***Danger of burns!***

- Improper handling of the Lithium-ion battery can cause fires, explosions and smoke. This can lead to personal injury and / or property damage.
  - Under no circumstances charge a damaged battery.
  - Charge the battery at a temperature between 0 ° C to 40 ° C.
  - Do not use the power bank in the immediate vicinity of heat sources (heating, solar radiation and others).
  - Do not short circuit! In the event of a short circuit or mechanical damage to the internal lithium-ion battery, there is a risk of overheating and fire.
  - Do not carry out the charging process unattended.
- Do not connect the speaker or power bank (via a USB power adapter) to a wall outlet during thunderstorm.

## **1.2 Designated use**

Designated use includes, that you have read this instruction manual, in particular the safety instructions before using the music backpack including the speaker and the power bank, and that you only use them so as described in this manual.

Any other use is considered improper and thus dangerous. The manufacturer is not liable for damage deriving from improper use of the appliance.

## **1.3 Instruction for Use**

Please read this Instruction for Use carefully before using the music backpack. Failure to follow this Instruction for Use may result in injury or property damage.

The manufacturer is not liable for damage deriving from failure to respect this Instruction for Use.



### ***Please note:***

Keep this Instruction for Use. If the music backpack is passed to other persons, they must also be provided with this Instruction for Use.

## **2. Music Backpack (T-MBAG-O2):**

---

### **2.1 Description**

As a Community Design recognized and protected by EUIPO (Community design, No 003518554-0001), the Music Backpack has:

- a diamond-shaped, waterproof outer surface, the material of which distinguishes two models of T-MBAG-O2:
  - Model 1: Litchi grain PU leather

- Model 2: nylon;
- a back that is padded with sponge and protects the back;
- a front bottom made of solid plastic, which serves as a control panel (1) of the two Bluetooth speakers (2);
- a hand carry handle and two length-adjustable, padded back straps;
- a three-sided all-round zipper, which is hidden in the back and helps to protect against theft;
- inside a main compartment:
  - a padded compartment for up to 14-inch laptop;
  - an attached pocket for e.g. iPad and a latch with Velcro;
  - a small bag about for bank card;
- a covered bottom compartment, in which are incorporated:
  - a lithium-ion battery,
  - two Bluetooth speakers (2),
  - a bass hole (6);
- an outer pocket at the back with two USB charging cables, which can be internally connected through a hole with the connections of the accumulator (3 and 4). (They are already connected to each other at the time of delivery.)

## 2.2 Red Dot Award 2017 Winner



reddot award 2017  
winner

The main function of the Intelligence Music Backpack is to provide sufficient storage space for music equipment, playback options and charging functions. By means of these tools, music can be played any time and everywhere in public places. With its design as geometric, sharp-edged item, the rucksack follows a futurist keynote. Due to its sturdy construction, the components carried and integrated in it are optimally protected.

Statement by the jury:

„In its sharp-edged and sturdy form, the Intelligence Music Backpack emphasises the personality of the users who play music in public places. “

## 2.3 Scope of delivery

Description	Amount
Music backpack	1
USB charging cable	2
Instruction Manual	1

## 2.4 Checking the appliance

After removing the packaging, make sure the product is complete and undamaged and that all accessories are present.

Do not use the appliance if it is visibly damaged, and contact our Customer Services.

## 3. Speaker: Starting-Up / Operation

### 3.1 Charging the accumulator

Before first use, the battery should be fully charged.

- Take the USB charging cable from the pocket on the back of the backpack, the other end of which is inside plugged into the Micro USB input of the battery (3) in the bottom compartment.

- Connect the charging cable to a free USB port on a PC or laptop, which must be turned on. Alternatively, connect it to an AC outlet (110V ~ 220V) using a compatible USB power adapter (not included).
- The status LED (5) on the control panel (1) lights red to indicate that the battery is charging. As soon as the voltage of the battery reaches 4.1V, the status LED goes out.
- A beep sounds once a minute when the voltage drops below 3.4V until the speaker turns off.
- The speaker may be on while charging the battery.

### 3.2 Turning the speaker on and off

- Turn the switch (7) clockwise to turn on the speaker.
- Turn the switch counterclockwise to turn off the speaker.
- As soon as the loudspeaker is switched on or automatically switches off, a short melody sounds.
- The speaker turns off automatically,
  - if no Bluetooth connection can be established in 20 minutes;
  - when there is a Bluetooth connection, but there is no audio transmission from the source device in 20 minutes;
  - when the battery voltage drops below 3.2V.

After switching on, the Bluetooth function of the loudspeaker is automatically activated; it should normally reconnect to the source device last connected to the loudspeaker within 8 seconds, with the status LED flashing once per second. In the case of no recognizable source device, the speaker searches for all available Bluetooth devices in the environment. (See below "Establishing a Bluetooth connection").

### 3.3 Establishing a Bluetooth connection

In this context, the "Establishing a Bluetooth connection" refers to the initial connection of the loudspeaker and the source device via Bluetooth.

The range between the loudspeaker and the source device must not exceed 10 meters without obstruction. Obstacles, noise, etc. can affect the sound quality. It is recommended not to exceed the distance of one meter when pairing.

- Turn on the speaker. The speaker is in Bluetooth search mode.
- Make sure that the source device (for example, smartphone) has a Bluetooth feature and that it is enabled. Go to the Bluetooth-Menu in the source device. If necessary, consult the operating instructions of the source device.
- The source device searches for all available Bluetooth devices in the environment. If the speaker is visible to the source device, that is, it is listed as a device on the device list in the Bluetooth menu, tap the name of the speaker and follow the steps on the screen. If necessary, you must enter the security code.
- If the speaker is not displayed, tap More to find the speaker.
- The speaker and the source device are paired with each other and the source device displays the status "connected" or similar. You can start to transfer audio from your source device to the speaker via the Bluetooth connection and play the music you want - online or music already downloaded to the smartphone. The setup of the Bluetooth connection is complete.
- To change devices, you must disconnect the old connection. For the new connection follow the steps above.

The connection process is indicated by the status LED on the Control panel of the speaker. It blinks blue 10 times a second while a source device is being searched. This can take a maximum of 15 minutes. After the pairing process, it will:

- light up permanently blue during audio transmission from the source device;

- flash blue every two seconds if there is no audio transmission from the source device until the loudspeaker turns off after 20 minutes.

### 3.4 Adjusting the Volume

- Turn the switch clockwise to increase the volume.
- Turn the switch counterclockwise to decrease the volume.

## 4. Power bank

Thanks to its capacity of 5000 mAh, the built-in rechargeable battery supplies the Bluetooth speaker with power, and also serves as a power bank, as an external battery charger. Thus, the music backpack can provide, for example an iOS or Android smartphone on the go with power, without a power adapter or a power outlet.

### 4.1 Charging the Power bank

See “Charging the accumulator”.

### 4.2 Loading mobile device

- Take the USB charging cable from the pocket on the back of the backpack, the other end of which is inside plugged into the USB input of the battery (4) in the bottom compartment.
- Connect the charging cable to your mobile device. The charge status can be found on the mobile device.
- You can charge the power bank and at the same time your mobile device.
- The status LED does not light up during charging.

## 5. Technical Data

Backpack	
Material of the outside	Litchi grain PU leather (Model 1) / Nylon (Model 2)
External Dimension (W x H x D)	380 x 500 x 160 mm / 14.96 x 19.69 x 6.30 Inch
Volume	14 litres
Color	Black
Weight	1,78 kg
Speaker	
Operating temperature	0°C – 50°C
Storage temperature	0°C – 50°C
Bluetooth Specification	V 3.0+ EDR
Transmission distance	≤10 m
Frequency Response	80 Hz – 20 kHz
Sensitivity	850 mV
Signal to Noise Ratio	80 dB
Support	iOS/Android
Power supply /Power bank	
Battery Capacity	3.7/5000mAh
Maximum duration of audio transmission	8 hours
Input Voltage	DC5V
Output Voltage	RMS 4W+4W

## 6. Cleaning

It is suggested to clean the outside of PU leather / nylon with a slightly damp cloth. The speaker and power bank should not be cleaned with water.



Do not machine wash



Do not bleach



Do not dry clean



Do not iron

## 7. Disposal

In accordance with the European Disposal Directive 2002/96 / EC, you should never throw batteries and accumulators in the normal household waste. Batteries and accumulators may contain toxins. Dispose of batteries and accumulators therefore necessarily in accordance with the valid legal regulations within the scope of the legal return obligation. Inquire at your city or local authority about the possibilities of an environmentally and appropriate disposal. Dispose of used batteries and accumulators at a collection point. This will make a positive contribution to environmental protection.

## 8. Troubleshooting

Listed below are some possible malfunctions.

If the problem cannot be solved in the manner described, please contact technical customer service.

Problem	Possible Cause and Solution
The loudspeaker isn't switched on.	The switch was turned in the wrong direction. Turn the switch clockwise.
	The battery is empty. Charge the battery with the supplied micro USB power cable.
The status LED does not flash.	The battery is empty. Check if it works after 3-4 hours of recharge.
The Bluetooth connection cannot be established.	Distance between speaker and source device too large. Distance maximum 10 meters without obstacle.
	Obstacle between speaker and source device. Remove obstacle or make obstacle-free connection.
	Bluetooth not activated on the source device. Activate Bluetooth.
	Speaker not paired with the source device or paired with another source device. Pair the two devices as described under "Establishing a Bluetooth connection".
The source device cannot be operated via the loudspeaker during the Bluetooth connection.	Battery voltage of the speaker too weak. Load!
	Distance between speaker and source device too large. Distance maximum 10 meters without obstacle
The speaker is not charging.	The source device cannot be controlled via the loudspeaker. If necessary, contact the manufacturer of the source device.
	Check if the plug is well connected to the power source and if the status LED flashes red. If necessary, contact the customer service.

## 9. Warranty

Please keep your receipt as a proof of purchase. If you wish to claim during the warranty period, you must always present the receipt. Without proof of purchase, no warranty claim can be asserted.



Your device is guaranteed for two years from the date of purchase. It covers material or processing errors during normal use. Faulty devices meeting these criteria will be replaced free of charge.

This warranty does NOT cover any errors or damage resulting from misuse or failure to follow the instructions. It becomes invalid if the device is opened, manipulated or provided with parts or accessories not manufactured by the manufacturer or if repairs are carried out by unauthorized persons.

Accessories and consumables (power bank in this case) are excluded from any warrant.

Support inquiries can be made by e-mail or by phone. Contact information for customer service can be found below.

This warranty is valid for Europe and Asia.

## **10. Importer / Customer Service**

---

Nanye GmbH

Wehlingweg 35

D-69469 Weinheim

Germany

Email: [rucksack@nanye-gmbh.de](mailto:rucksack@nanye-gmbh.de)

Website: [www.nanye-gmbh.de](http://www.nanye-gmbh.de)

## **11. Declaration of Conformity**

---

This product complies with legal requirements, standards and guidelines at the time of purchase. The detailed declaration of conformity can be found at [www.nanye-gmbh.de](http://www.nanye-gmbh.de) (at DOWNLOADS).